

- General Rotary Actuators for: 2-way DN15...20 CCV
3-way DN15...20 CCV
- Torque: 2Nm
- Modulating control: TR24-SR (AC/DC 24V)
TR24 (AC/DC 24V)
- Open/Close or 3-point: TR230-3 (AC 230V 50Hz)


Technical data

Basic technical data		Torque	Min. 2Nm @ nominal voltage
		Angle of rotation	90°
		Sound power level	Max. 35dB(A)
		Ambient temp.	-7...+50°C
		Non-operation temp.	-40...+80°C
		Temp. of medium	-5...+100°C (in control ball valve)
		Humidity	5...95% RH, non-condensing
		Degree of protection	IP40
		EMC	CE according to 89/336/EEC
		Maintenance	Maintenance-free
TR24-SR	Nominal voltage range	AC 19.2...28.8V, 50/60Hz / DC 21.6...28.8V	
	Power consumption	1W @ nominal torque	
	For transformer sizing	1VA	
	Connecting cable	Cable 1m, 3x0.75mm ²	
	Control signal Y	DC (0)2...10V @ input impedance 100kΩ	
	Protection class	III (Extra-low voltage)	
	Running time	90s	
TR24	Weight	0.4kg	
	Nominal voltage range	AC 19.2...28.8V, 50/60Hz / DC 21.6...28.8V	
	Power consumption	0.5W @ nominal torque	
	For transformer sizing	0.5VA	
	Connecting cable	Cable 1m, 3x0.75mm ²	
	Protection class	III (Extra-low voltage)	
	Running time	100s	
TR230-3	Weight	0.4kg	
	Nominal voltage range	AC 198...264V, 50Hz	
	Power consumption	1W @ nominal torque	
	For transformer sizing	1VA	
	Connecting cable	Cable 1m, 3x0.75mm ²	
	Protection class	II (Totally insulated)	
	Running time	105s	
	Low voltage directive	CE according to 73/23/EEC	
Weight	0.4kg		

Product features

Simple direct mounting

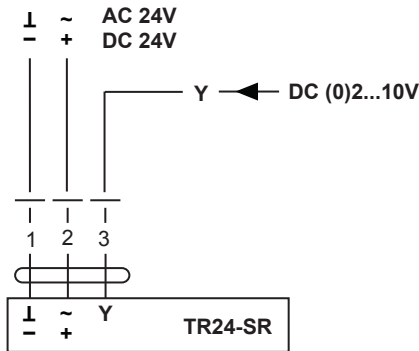
Simple direct mounting on the Ball Valve using only one screw.

Manual operation

Manual operation by knob when necessary.

Wiring diagrams

TR24-SR Modulating control

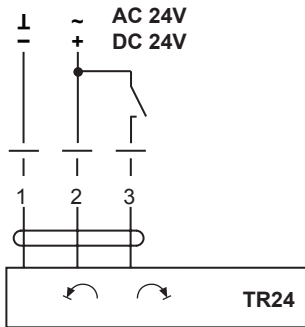


Notes:

- Connection via safety isolating transformer.
- Other actuators can be connected in parallel.

Please note the performance data.

TR24 Open/Close control

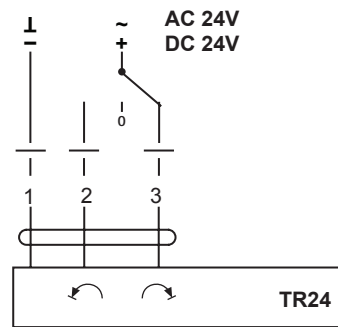


Notes:

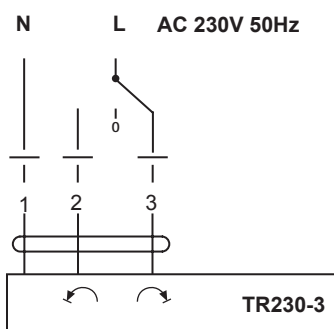
- Connection via safety isolating transformer.
- Other actuators can be connected in parallel.

Please note the performance data.

3-point control



TR230-3 Open/Close / 3-point control



Notes:

- Caution: Power supply voltage!
- Other actuators can be connected in parallel.

Please note the performance data.

Dimensions [mm]: TR..

